

BULLDOG

Commercial Hardware



 CopperCreek
HARDWARE

April 2009
Pricing &
Specification Guide

Table of Contents

1. Bulldog Commercial Locksets	
Series 6900 Grade-2 Interconnect	3
Series 6100 & 6200 Grade-2 Levers	4
Series 7200 Grade 1 Levers	5
Lever Specifications	5
Grade-2 Deadbolts	6
Latchbolt/Deadbolt Strike Options	6
Lockset Accessories	7
2. Bulldog Series 8000 Door Closers	
8844 Grade-1 Door Closer	9
8600 Grade-1 Door Closer	10
8400 Grade-1 Door Closer	11
8200 Grade-2 Door Closer	12
Door Closer Application Guide	13
3. Bulldog Series 9000 Exit Devices	
9500 Rim Exit Device	15
9560 Vertical Rod Exit Device	16
9560 Vertical Rod Less Bottom Rod Exit Device	17
Exterior Trim Selection	18
Exit Device Parts & Accessories	19
Exit Device Application Guide	21
4. Bulldog Commercial Hardware Warranty	22

Bulldog Commercial Grade-2 Emergency Egress Interconnect Lock

6900 Series Grade-2 Heavy Duty Interconnect Avery (AL) & Erin (EL)		Standard Finish		Special Order Finishes			Case Qty	Case Wt	Case Size
order code	function	SS	10B	**AB	**PB	**PS	Units	LBS	LxWxH
6920	Passage Lever	\$235.00	\$255.00	\$255.00	\$255.00	\$255.00	10	25	15x9x12
6941	Entry Lever	\$260.00	\$280.00	\$280.00	\$280.00	\$280.00	10	35	15x9x12



AL6941SS Shown
Avery Entry Lever Interconnect



Meets ADA
Regulations



UL LISTED



EL6920SS Shown
Erin Passage Lever Interconnect

INTERCONNECT FUNCTIONS			INTERCONNECT SPECIFICATIONS	
	6920 Passage	Both levers always free turning to retract latch. Rotating inside lever simultaneously unlocks deadbolt. Deadbolt also unlocked with key or by rotating thumb turn	ANSI/BHMA	Grade-2
			Latch	2-3/8" backset, 1" round corner narrow faceplate std. 2-3/4" Square Corner optional
			Strikes	Deadbolt: PT-DS06 2-3/4" RCS std. Lever: PT-LS16 full lip RCS std.
			Cylinder	5 pin KW1 std. "C" optional
	6941 Entry	Key or inside push button locks both levers. Turning inside lever unlocks both levers and the deadbolt simultaneously. Deadbolt also unlocked with key or by rotating interior thumb turn.	Door Prep	1" edge bore, 1"x 2-1/4" latch mortise, 2-1/8" cross bores, 4" Center to Center
			Door Thickness	Minimum 1-3/8", Maximum 1-3/4"
			Handing	Non-Handed Design
			U.L.	3 hour, U.L. Labeled Fire Rated

Bulldog Commercial Grade-2 Levers

6100 Series Grade-2 Standard Duty Levers Avery (AL) & Erin (EL)		Stocking Finish	Special Order Finishes				Case Qty	Case Wt	Case Size
Order code	Function	SS	**10B	**AB	**PB	**PS	Units	LBS	LxWxH
6120	Passage	\$100.00	\$113.00	\$113.00	\$113.00	\$113.00	6	12	15x9x12
6131	Restroom	\$104.00	\$117.00	\$117.00	\$117.00	\$117.00	6	12	15x9x12
6141	Entry	\$111.00	\$124.00	\$124.00	\$124.00	\$124.00	6	12	15x9x12
6150	Storeroom	\$116.00	\$127.00	\$127.00	\$127.00	\$127.00	6	12	15x9x12
6160	Classroom	\$129.00	\$144.00	\$144.00	\$144.00	\$144.00	6	12	15x9x12



AL6141SS
Avery Keyed Entry Shown



Meets ADA Regulations



EL6141SS
Erin Keyed Entry Shown



UL LISTED

6200 Series Grade-2 Heavy Duty Levers Avery (AL) & Erin (EL)		Stocking Finish	Special Order Finishes				Case Qty	Case Wt	Case Size
Order code	Function	SS	10B	**AB	**PB	**PS	Units	LBS	LxWxH
6220	Passage	\$130.00	\$140.00	\$140.00	\$140.00	\$140.00	6	12	15x9x12
6231	Restroom	\$135.00	\$145.00	\$145.00	\$145.00	\$145.00	6	12	15x9x12
6241	Entry	\$145.00	\$155.00	\$155.00	\$155.00	\$155.00	6	12	15x9x12
6250	Storeroom	\$150.00	\$160.00	\$160.00	\$160.00	\$160.00	6	12	15x9x12
6260	Classroom	\$160.00	\$170.00	\$170.00	\$170.00	\$170.00	6	12	15x9x12
6290	1/2 Dummy	\$60.00	\$65.00	\$65.00	\$65.00	\$65.00	6	12	15x9x12



AL6241SS
Avery Heavy Duty Keyed Entry Shown



Meets ADA Regulations



EL6241SS
Erin Heavy Duty Keyed Entry Shown



UL LISTED



Bulldog Commercial Grade-1 Levers

7200 Series Grade-1 Heavy Duty Levers Avery (AL)		Stocking Finish		Special Order Finishes			Case Qty	Case Wt	Case Size
Order code	Function	SS	10B	**AB	**PB	**PS	6	12	15x9x12
7220	Passage	\$175.00	\$185.00	\$185.00	\$185.00	\$185.00	6	12	15x9x12
7231	Restroom	\$180.00	\$190.00	\$190.00	\$190.00	\$190.00	6	12	15x9x12
7241	Entry	\$190.00	\$200.00	\$205.00	\$205.00	\$205.00	6	12	15x9x12
7250	Storeroom	\$195.00	\$205.00	\$205.00	\$205.00	\$205.00	6	12	15x9x12
7260	Classroom	\$220.00	\$230.00	\$230.00	\$230.00	\$230.00	6	12	15x9x12



Meets ADA Regulations



UL LISTED

AL7241SS

Avery Keyed Entry Shown

BULLDOG Lever Specifications & Options

	6100 Standard Duty	6200 Heavy Duty	7200 Heavy Duty
ANSI / BHMA	Grade-2	Grade-2	Grade-1
Rose Diameter	3"	3-3/8"	3-1/2"
Cylinder	6 pin C std. 5 pin KW1 opt.		
Keying	All Bulldog levers are shipped KD - Special keying services available on next page		
Thru-Bolt (auxiliary)	N/A	2 standard, removable	
Latch	2-3/4" backset, 1" square corner narrow faceplate std. 2-3/8" optional. 1-1/8" black filler plate included to adapt to 1-1/8 hollow metal latch face cutout.		2-3/4" backset, 1-1/8" square corner wide faceplate. 2-3/8" optional.
Strike	PT-LS12: 2-3/4" T-Strike std. PT-LS22: 4-7/8" ASA opt. (\$2.40 list adder)		PT-LS22: 4-7/8" ASA std. PT-LS12 2-3/4" T-Strike opt.
Door Prep	1" edge bore, 1" or 1-1/8" x 2-1/4" latch mortise, 2-1/8" cross bore, 2-3/4" backset standard, 2-3/8" optional		Same with 161 edge cutout only (1-1/8" x 2-1/4")
Clutch	Not available	Standard	
Door Thickness	Minimum 1-3/8", Maximum 1-3/4"		
Handing	All 6100, 6200, and 7200 levers are non-handed design		

Bulldog Commercial Grade-2 Deadbolts

6400 Series Grade-2 Heavy Duty Deadbolt		Standard Finish	Special Order Finishes				Case Qty	Case Wt	Case Size
order code	function	SS	**10B	**AB	**PB	**PS	Units	LBS	LxWxH
DB6410	Single Cyl.	\$42.00	\$46.00	\$46.00	\$46.00	\$46.00	6	24	15x9x12

** Special order - regular factory lead-times and minimums apply - see representative for details



UL LISTED

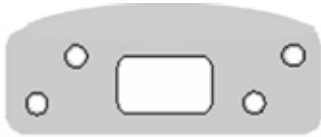






Meets ADA Regulations

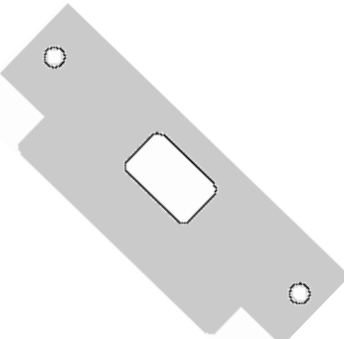

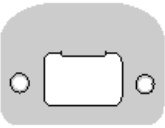
DB6410 DEADBOLT SPECIFICATIONS

ANSI/BHMA	Grade-2
Latch	Adjustable backset, 1" round corner narrow faceplate std.
Strike	PT-DS06-4H 4-Hole Round Corner with Steel reinforcing plate std.
Cylinder	6 pin C std. 5 pin KW1 opt.
Door Prep	1" edge bore, 1"x 2-1/4" latch mortise, 2-1/8" cross bore,
Door Thickness	Minimum 1-3/8", Maximum 1-3/4"
Handing	Non-Handed Design
U.L.	3 hour, U.L. Labeled Fire Rated

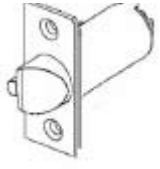






Bulldog Deadbolt Strike Options

	PT-DS34FL 3-5/8" x 1-1/4". \$2.35 if ordered as part. \$1.95 upcharge with deadbolt.
	PT-DS34 3-5/8" x 1-1/4" \$2.35 if ordered as part \$1.95 upcharge with deadbolt
	PT-DS02-4H 2-3/4" x 1-1/8" \$1.10 if ordered as part No charge with deadbolt
	PT-DS06-4H 2-3/4" x 1-1/8" \$1.10 if ordered as part Standard strike with deadbolt
	PT-STBP-4H 2-3/4" x 1-1/8" Strike Reinforcing Plate. Std with DS02 and DS06 Strikes. \$1.10 if ordered as part.

Bulldog Latchbolt Strike Options

	PT-LS22 4-7/8" x 1-1/4". \$4.00 if ordered as part. Standard with 7200 Series \$2.40 upcharge if ordered with 6900, 6200, or 6100 Series Lever.
	PT-LS12 2-3/4" x 1-1/8" \$1.60 if ordered as part. Standard with 6200 & 6100 Series levers
	PT-LS16 2-1/4" Full Lip \$1.50 if ordered as part. Standard with 6900 Series Interconnect. No charge with lever.

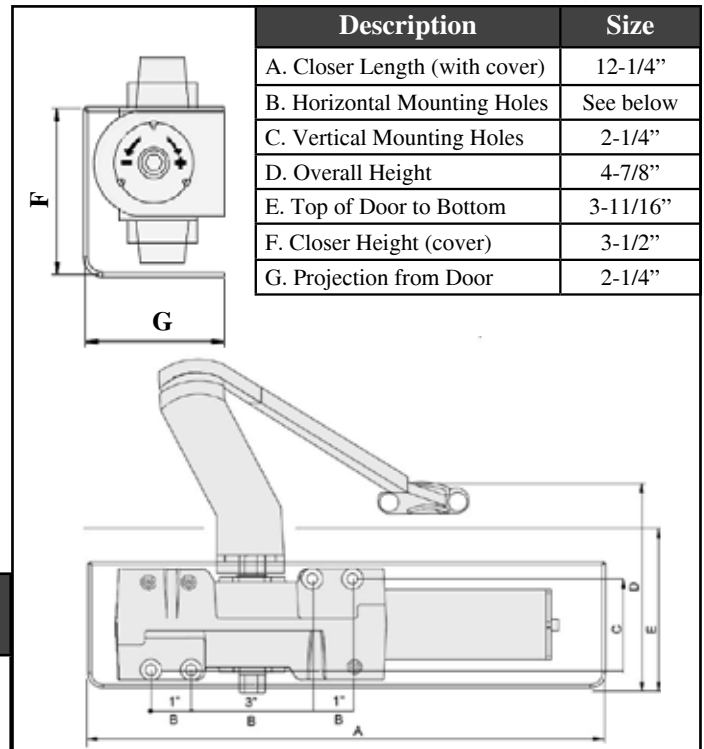
Bulldog Commercial Lever Accessories

Item View	Lever Series	Description	Part Number	Finish (Specify)	Backset (Specify)	Box qty	List Price
	6100 6200 6900	Square Corner Deadlatch Square Corner Restroom Latch Square Corner Plainlatch	PTEV-SCDL PTEV-SCPL2 PTEV-SCPL	10B, SS	2-3/4" & 2-3/8"	1	\$11.00
	6100 6200 6900	Round Corner Deadlatch Round Corner Restroom Latch Round Corner Plainlatch	PTIL-SCDL PTIL-SCPL2 PTIL-SCPL	10B, SS	2-3/4" & 2-3/8"	1	\$11.00
	7200	Square Corner Deadlatch Square Corner Restroom Latch Square Corner Plainlatch	PTFL-SCDL PTFL-SCPL2 PTFL-SCPL	10B, SS	2-3/4" & 2-3/8"	1	\$11.00
	6900 (Deadbolt)	Square Corner Deadbolt Latch Round Corner Deadbolt Latch	PTIL-SCBL PTIL-RCBL	10B, SS	Adjustable	1	\$11.00
	all NFL latches	1" to 1-1/8" backer-plate. Adapts 1" faceplate to 161 cutout.	PTEV-BKPLT	Black	-	1	\$0.50
	6100 6200 6900 (lever)	C-Keyway lever cylinder KW1-Keyway lever cylinder	PTEV-CYL-C PTEV-CYL-KW1	PB, SS	Specify Function	1	\$14.00
	6900 deadbolt	C-Keyway DB cylinder KW1-Keyway DB cylinder	PTIL-CYL-C PTIL-CYL-KW1	PB, SS		1	\$14.00
	7200 (lever)	C-Keyway Cylinder KW1-Keyway Cylinder	PTFL-CYL-C PTFL-CYL-KW1	PB, SS	Specify Function	1	\$14.00
	ALL	C 6-pin Key Blank KW1 6-pin Key Blank	PT-SCKB01 PT-CCKB01	-	-	250	\$113.00
	ALL	Schlage C Key Kit	PT-KEYKITC	-	-	1	\$100.00
		Copper Creek KW1 Key Kit	PT-KEYKIT	-	-	1	\$75.00
	6200	Hole spacing jig. Facilitates correct hole alignment/drilling for auxiliary thru-bolts on 6200 series lever	PT-G2MOUNTJIG	-	-	1	\$4.00
Commercial Keying Services	6100 6200 6900 7200	Keyed Alike-KA Builder Keying-BK Master Keying-MK BuilderMaster Keying-BMK GrandMaster Keying-GMK Maison Keying-MAIS	PT-LT-KA001 PT-LT-BK001 PT-LT-MK001 PT-LT-BMK001 PT-LT-GMK-001 PT-LT-MAISON	-	-	per cyl	\$3.00 \$4.00 \$3.60 \$5.00 \$5.00 \$8.00

NOTES: _____

Bulldog 8844 Door Closer

- Heavy-duty, high traffic door closer.
- ANSI Grade-1.
- UL Listed - Compliant for positive pressure
- Size 1-6 (adjustable) - Barrier Free
- Adjustable closing & latching speeds.
- Non-handed.
- Standard Back-check.
- Cast iron body with forged steel arm.
- Double heat treated steel pinion.
- Tri-packed for standard, parallel, & top jamb applications.
- Stick-on mounting template included.
- Plastic Cover Standard.
- Thru-bolts included.
- Aluminum (AL) and Duro-Bronze (DB) Standard finishes.
- 25 Year Warranty



Closer Part #	Closer Description	Full Case (4)	< Case
CL8844BF AL CL8844BF DB	Barrier Free Size 1-6 Adjustable	\$260.00	\$280.00

Accessory	Part Number	Description	Price	Qty
	PT-C88-FSA AL PT-C88-FSA DB	CL8844 Forged Arm Assembly - AL or DB Finish	\$33.00	ea.
	PT-C88-CSA AL PT-C88-CSA DB	CL8844 Cushion Stop Arm - AL or DB finish	\$55.00	ea.
	PT-C88-CHO AL PT-C88-CHO DB	CL8844 Cushion Hold Open Arm - AL or DB Finish	\$55.00	ea.
	PT-C88-Cover AL PT-C88-Cover DB	CL8844 Plastic Cover - AL or DB Finish	\$20.00	ea.
	PT-C88-PAB AL PT-C88-PAB DB	CL8844 Parallel Arm Bracket - AL or DB Finish	\$11.00	ea.
NPA	PT-C88-Template	CL8844 Stick on templates (6)	\$10.00	6 pcs.
NPA	PT-LPP-SP44 AL PT-LPP-SP44 DB	CL8844 Complete Screw Pack Including Thru-bolts AL or DB Finish	\$8.00	ea.

Note: Drop plates are available - call for details

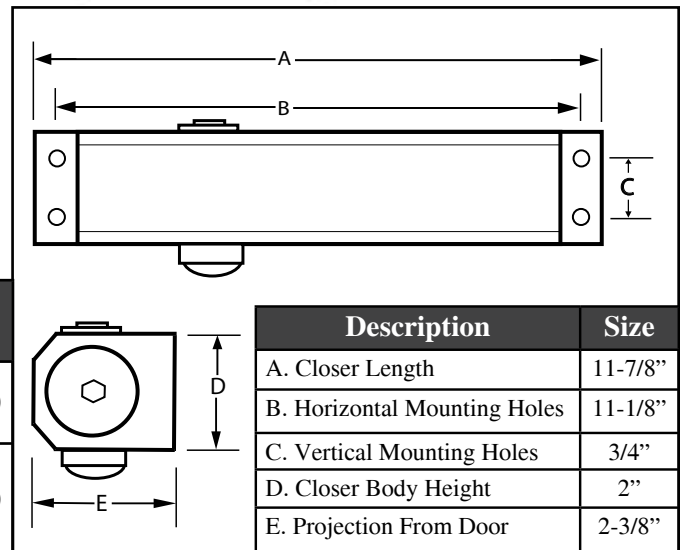
Bulldog 8600 Door Closer



Meets ADA
Regulations



- Heavy duty door closer
- ANSI Grade-1 UL Listed.
- Size 1-6 (adj.) - Barrier Free
- Adjustable closing & latching speeds.
- Non-handed.
- Standard Back-check.
- Delayed-action (opt).
- Cast aluminum body
- Tri-packed for standard, parallel, & top jamb applications.
- Stick on templates available.
- Plastic cover standard.
- Thru-bolts included.
- Aluminum (AL) & Duro-Bronze (DB)
- 25 year Warranty.



Closer	Part #	Closer Description	(6) Full Case	< Case
CL8600BF AL CL8600BF DB		Barrier Free Size 1-6 Adjustable	\$165.00	\$185.00
CL8600BFDA AL CL8600BFDA DB		Barrier Free Size 1-6 Adjustable Delayed Action	\$178.00	\$188.00

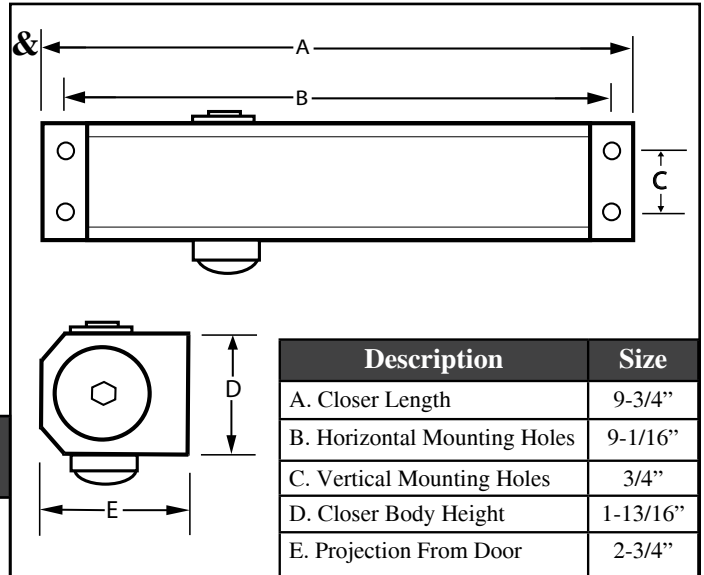
Accessory	Part Number	Description	Price	Qty
	PT-C86-SSA AL PT-C86-SSA DB	CL8600 Stamped Steel Arm - AL or DB Finish	\$14.00	ea.
	PT-C86-CSA AL PT-C86-CSA DB	CL8600 Cushion Stop Arm - AL or DB finish	\$40.00	ea.
	PT-C86-FHO AL PT-C86-FHO DB	CL8600 Friction Hold Open Arm - AL or DB Finish	\$36.00	ea.
	PT-C86-Cover AL PT-C86-Cover DB	CL8600 Plastic Cover - AL or DB Finish	\$12.00	ea.
	PT-C86-PAB AL PT-C86-PAB DB	CL8600 Parallel Arm Bracket - AL or DB Finish	\$3.60	ea.
NPA	PT-C86-Template	CL8600 Stick on templates (6)	\$10.00	6 pcs.
NPA	PT-LPP-SP8684 AL PT-LPP-SP8684 DB	CL8600 Wood & Machine Screw Pack - AL or DB	\$6.00	ea.
	PT-LPP-SN8684	CL8684 Thru-bolts	\$4.60	4 pcs.

Note: Drop plates are available - call for details

**10 weeks factory leadtime for PB PS Finishes

Bulldog 8400 Door Closer

- Standard duty door closer
- ANSI Grade-1 UL Listed.
- Size 1-6 (adj.) - Barrier Free
- Adjustable closing & latching speeds.
- Non-handed.
- Standard Back-check.
- Cast aluminum body
- Tri-packed for standard, parallel, top jamb applications.
- Stick on templates available.
- Plastic cover (opt).
- Thru-bolts included.
- Aluminum (AL) & Duro-Bronze (DB) standard finishes.
- 25 year Warranty.



Closer Part #	Closer Description	Full Case (6)	< Case
CL8400BF AL CL8400BF DB	Barrier Free Size 1-6 Adjustable	\$130.00	\$140.00

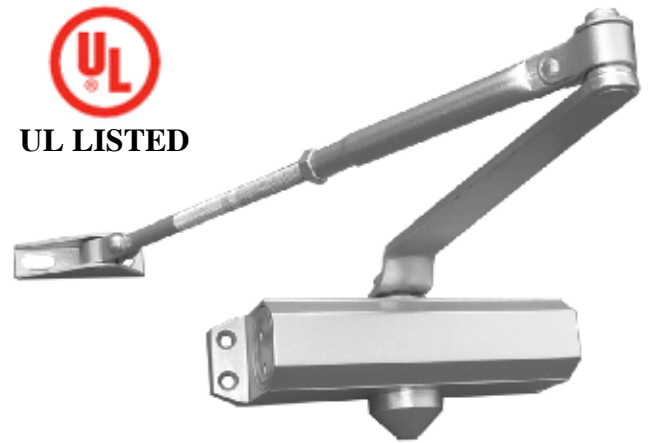
Accessory	Part Number	Description	Price	Qty
	PT-C84-FSA AL PT-C84-FSA DB	CL8400 Forged Steel Arm - AL or DB Finish	\$14.00	ea.
	PT-C84-CSA AL PT-C84-CSA DB	CL8400 Cushion Stop Arm - AL or DB finish	\$40.00	ea.
	PT-C84 FHO AL PT-C84 FHO DB	CL8400 Friction Hold Open Arm - AL or DB Finish	\$36.00	ea.
	PT-C84-Cover AL PT-C84-Cover DB	CL8400 Plastic Cover - AL or DB Finish	\$9.00	ea.
	PT-C84-PAB AL PT-C84-PAB DB	CL8400 Parallel Arm Bracket - AL or DB Finish	\$3.60	ea.
NPA	PT-C84-Template	CL 8400 Stick on templates (6)	\$10.00	6 pcs.
NPA	PT-LPP-SP8684 AL PT-LPP-SP8684 DB	CL8400 Wood & Machine Screw Pack - AL or DB	\$6.00	ea.
	PT-LPP-SN8684	CL8684 Thru-bolts	\$4.60	4 pcs.

Note: Drop plates are available - call for details

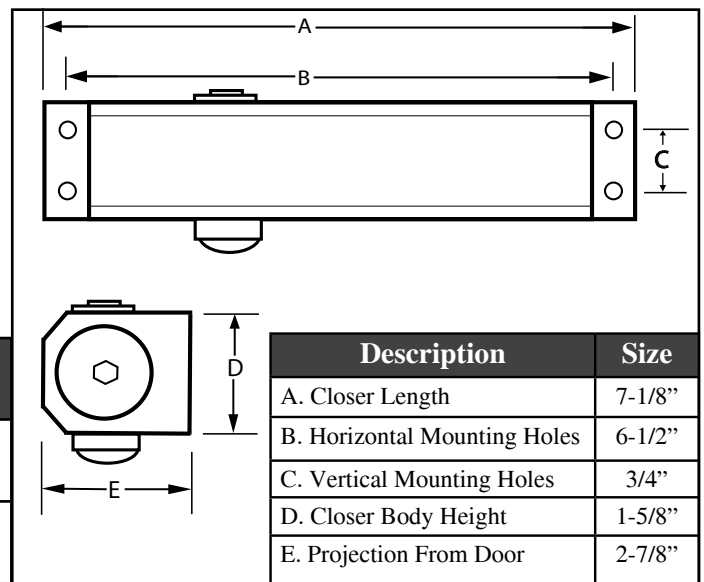
Bulldog 8200 Door Closer



UL LISTED



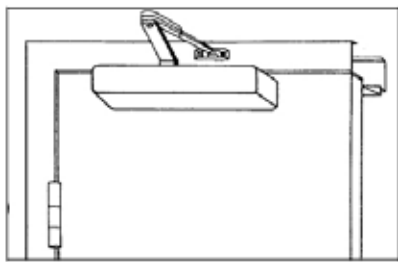
- Standard duty
- ANSI Grade-2 - UL Listed.
- Fixed Size 2 or 3.
- Standard sweep & latching.
- Non-handed.
- Cast aluminum body
- Dual-packed for standard, & top jamb applications.
- Parallel arm bracket optional.
- Aluminum (AL) & Duro-Bronze (DB) standard finishes.
- 5 year Warranty.



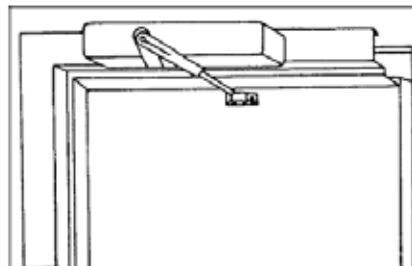
Closer Part #	Closer Description	Full Case (10)	< Case
CL8202 AL CL8202 DB	Fixed Size 2	\$75.00	\$80.00
CL8203 AL CL8203 DB	Fixed Size 3	\$79.00	\$84.00

Accessory	Part Number	Description	Price	Qty
	PT-C82- SSA AL PT-C82-SSA DB	CL8200 Stamped Arm assembly AL or DB Finish	\$12.00	ea.
	PT-C82-PAB AL PT-C82-PAB DB	CL8200 Parallel Bracket - AL or DB Finish	\$3.60	ea.
NPA	PT-LPP82 AL PT-LPP82 DB	CL8200 Wood & Machine Screw Pack AL or DB	\$6.00	ea.

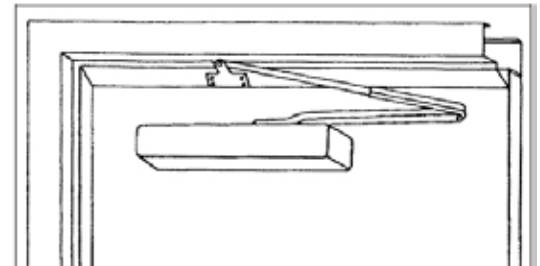
Bulldog Series 8000 Door Closer Applications



Regular arm-Pull Side



Top Jamb-Push Side



Parallel arm-Push Side

Choosing The Correct Series 8000 Door Closer

Regular & Top Jamb				Parallel Arm			Applicable Door Weight LBS (KGS)
Maximum Size Of Door							
Closer Size	Interior	Exterior Inswing	Exterior Outswing	Closer Size	Interior	Exterior Outswing	
1	28" (0.71m)	N/A		1	-	-	33-66 (15-30)
2	36" (0.91m)	N/A		2	30" (0.76m)	-	66-99 (30-45)
3	42" (1.07M)	30" (0.76m)	36" (0.91m)	3	36" (0.91m)	30" (0.76m)	99-143 (45-65)
4	48" (1.22m)	36" (0.91m)	42" (1.07m)	4	42" (1.07m)	36" (0.91m)	143-187 (65-85)
5	54" (1.37m)	42" (1.07M)	48" (1.22m)	5	48" (1.22m)	42" (1.07m)	187-264 (85-120)
6	60" (1.52m)	48" (1.22m)	54" (1.37m)	6	54" (1.37m)	48" (1.22m)	264-330 (120-150)

Bulldog Competitor Cross References

Bulldog	Cal-Royal	K2	LCN	Norton	Pamex	Russwin	Sargent	Yale
CL8844	CR441	-	4041	7500	-	2820K	1230	4400
CL8600	900	QDC200	1460-72G	8501	5600	2820K	1230	3501
CL8400	300	QDC300	-	1601	8700	-	-	51BF
CL8202/8203	700	-	1050	1600	800	2800	-	50

NOTES: _____

Bulldog Rim Exit Devices

Standard Rim Exit Device (R9500)

Fire Rated Rim Type (R9500F)

Fits all standard metal & wood doors 1-3/4" thick standard, 2-1/4" optional.

Stainless Steel, Painted Aluminum, Painted Bronze finishes.

Device compatible with 161 cutout on hollow metal doors.

Thru-bolts standard on F-rated devices.

Stainless steel springs throughout.

3 hour fire rated (F rating) .

Black Coated Steel Strikes.

ANSI 156.2 Grade-1.

Non-Handed Design.

36" or 48" widths.

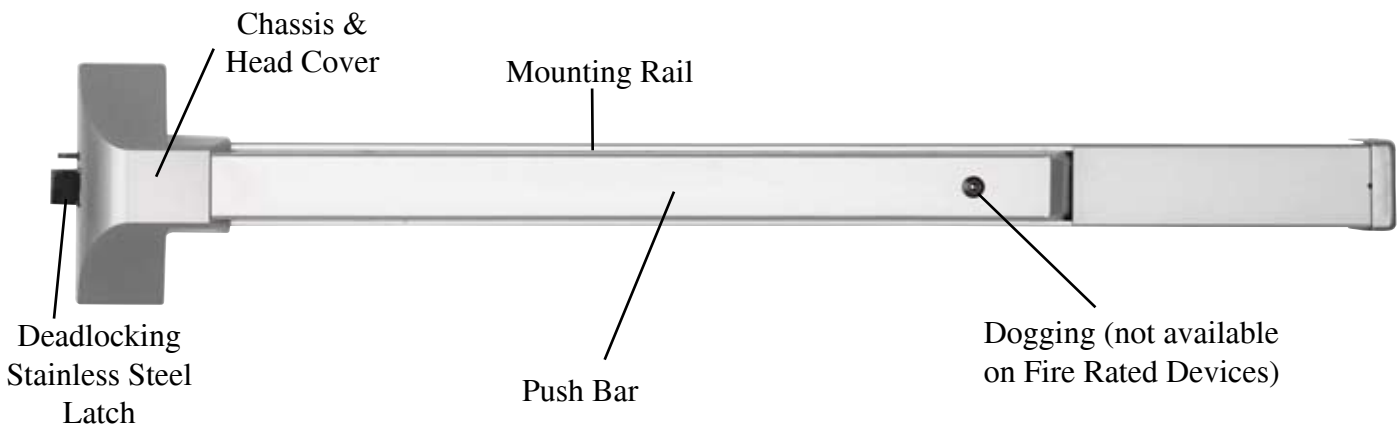
UL Listed.



UL LISTED



Meets ADA
Regulations

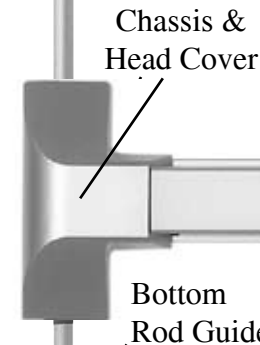
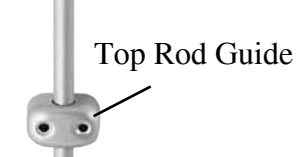
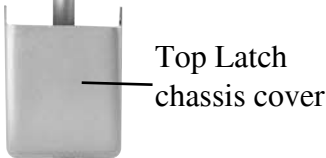
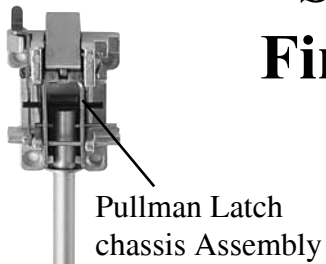


Category	Description	Finish	Bulldog Part #	List Price
9500 Series: Standard Rim Device	Grade 1 Rim Exit 36" wide - Stainless Steel	SS	R9500-SS-36	\$410.00
	Grade 1 Rim Exit 36" wide - Aluminum	AL	R9500-AL-36	\$260.00
	Grade 1 Rim Exit 36" wide - Bronze	DB	R9500-DB-36	\$260.00
	Grade 1 Rim Exit 48" wide - Stainless Steel	SS	R9500-SS-48	\$430.00
	Grade 1 Rim Exit 48" wide - Aluminum	AL	R9500-AL-48	\$270.00
	Grade 1 Rim Exit 48" wide - Bronze	DB	R9500-DB-48	\$270.00
9500-F Series: Fire Rated Rim Device	Fire Rated Grade 1 Rim Exit 36" wide - Stainless Steel	SS	R9500F-SS-36	\$480.00
	Fire Rated Grade 1 Rim Exit 36" wide - Aluminum	AL	R9500F-AL-36	\$330.00
	Fire Rated Grade 1 Rim Exit 36" wide - Bronze	DB	R9500F-DB-36	\$330.00
	Fire Rated Grade 1 Rim Exit 48" wide - Stainless Steel	SS	R9500F-SS-48	\$500.00
	Fire Rated Grade 1 Rim Exit 48" wide - Aluminum	AL	R9500F-AL-48	\$340.00
	Fire Rated Grade 1 Rim Exit 48" wide - Bronze	DB	R9500F-DB-48	\$340.00

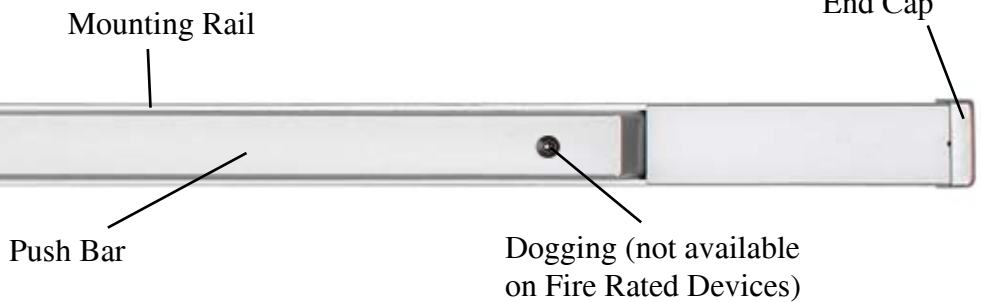
Bulldog Vertical Rod Exit Devices

Standard V-Rod Device (V9560)

Fire Rated V-Rod Device (V9560F)



Fits all standard metal & wood doors 1-3/4" thick standard, 2-1/4" opt.
 Stainless Steel, Painted Aluminum, Painted Bronze finishes
 Device compatible with 161 cutout on hollow metal doors.
 Surface mounted top & bottom strikes standard.
 Recessed Bottom strike for Fire Rated Device.
 Thru-bolts standard on F-rated devices.
 Stainless steel springs throughout.
 3 Hour Fire Rated (F rating).
 Black Coated Steel Strikes.
 ANSI 156.2 Grade-1.
 36" or 48" widths.
 UL Listed.



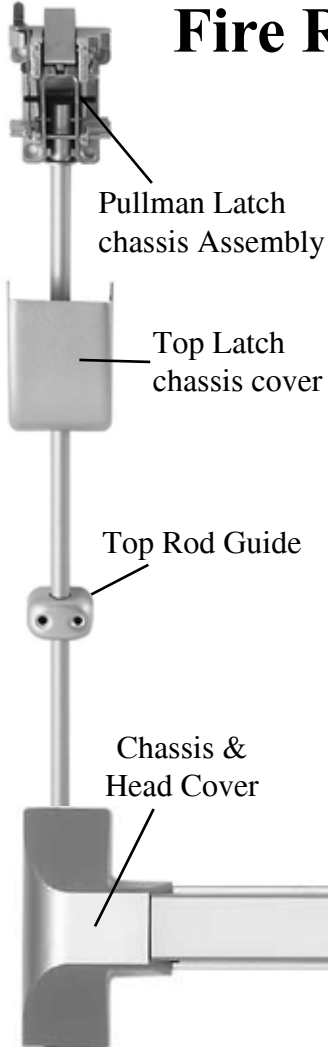
Category	Description	Finish	Bulldog Part #	List Price
9560V Series: Vertical Rod Device	Grade 1 Vertical Rod Exit 36" wide - Stainless Steel	SS	V9560-SS-36	\$580.00
	Grade 1 Vertical Rod Exit 36" wide - Aluminum	AL	V9560-AL-36	\$410.00
	Grade 1 Vertical Rod Exit 36" wide - Bronze	DB	V9560-DB-36	\$410.00
	Grade 1 Vertical Rod Exit 48" wide - Stainless Steel	SS	V9560-SS-48	\$600.00
	Grade 1 Vertical Rod Exit 48" wide - Aluminum	AL	V9560-AL-48	\$420.00
	Grade 1 Vertical Rod Exit 48" wide - Bronze	DB	V9560-DB-48	\$420.00
9560V-F Series: Fire Rated Vertical Rod Device	Fire Rated Grade 1 Vertical Rod Exit 36" wide - Stainless Steel	SS	V9560F-SS-36	\$660.00
	Fire Rated Grade 1 Vertical Rod Exit 36" wide - Aluminum	AL	V9560F-AL-36	\$490.00
	Fire Rated Grade 1 Vertical Rod Exit 36" wide - Bronze	DB	V9560F-DB-36	\$490.00
	Fire Rated Grade 1 Vertical Rod Exit 48" wide - Stainless Steel	SS	V9560F-SS-48	\$680.00
	Fire Rated Grade 1 Vertical Rod Exit 48" wide - Aluminum	AL	V9560F-AL-48	\$510.00
	Fire Rated Grade 1 Vertical Rod Exit 48" wide - Bronze	DB	V9560F-DB-48	\$500.00



Bulldog Less-Bottom-Rod Devices

Standard V-Rod Device (V9560 LBR)

Fire Rated V-Rod Device (V9560F LBR)



Fits all standard metal & wood doors 1-3/4" thick standard, 2-1/4" opt.
 Stainless Steel, Painted Aluminum, Painted Bronze finishes.
 Device compatible with 161 cutout on hollow metal doors.
 Thru-bolts standard on F-rated devices.
 Surface mounted top strike standard.
 Stainless steel springs throughout.
 Black Coated Steel Strikes.
 3-hour fire rated (F rating).
 ANSI 156.2 Grade-1.
 36" or 48" widths.
 UL Listed.



Category	Description	Finish	Bulldog Part #	List Price
9560V Series: Vertical Rod Device Less Bottom Rod	Grade 1 Vertical Rod Exit 36" - LBR - Stainless Steel	SS	V9560-LBR-SS-36	\$575.00
	Grade 1 Vertical Rod Exit 36" - LBR - Aluminum	AL	V9560-LBR-AL-36	\$400.00
	Grade 1 Vertical Rod Exit 36" - LBR- Bronze	DB	V9560-LBR-DB-36	\$400.00
	Grade 1 Vertical Rod Exit 48" - LBR - Stainless Steel	SS	V9560-LBR-SS-48	\$595.00
	Grade 1 Vertical Rod Exit 48" - LBR- Aluminum	AL	V9560-LBR-AL-48	\$410.00
	Grade 1 Vertical Rod Exit 48" - LBR - Bronze	DB	V9560-LBR-DB-48	\$410.00
9560V-F Series: Fire Rated Vertical Rod Device Less Bottom Rod	Fire Rated Grade 1 Vertical Rod Exit 36" - LBR - Stainless Steel	SS	V9560F-LBR-SS-36	\$655.00
	Fire Rated Grade 1 Vertical Rod Exit 36" - LBR - Aluminum	AL	V9560F-LBR-AL-36	\$480.00
	Fire Rated Grade 1 Vertical Rod Exit 36" - LBR - Bronze	DB	V9560F-LBR-DB-36	\$480.00
	Fire Rated Grade 1 Vertical Rod Exit 48" - LBR - Stainless Steel	SS	V9560F-LBR-SS-48	\$675.00
	Fire Rated Grade 1 Vertical Rod Exit 48" - LBR - Aluminum	AL	V9560F-LBR-AL-48	\$500.00
	Fire Rated Grade 1 Vertical Rod Exit 48" - LBR - Bronze	DB	V9560F-LBR-DB-48	\$500.00



Bulldog Exit Device Exterior Trims

Fit all Series R9500 & V9560 Exit Devices



PULL PLATES			
Part #	Function	Finish	List Price
ED-PCYL-AL	Rim Cyl.	AL	\$60.00
ED-PCYL-DB	Pull Plate	DB	\$60.00
ED-PPLT-AL	Pull Plate	AL	\$19.00
ED-PPLT-DB		DB	\$19.00
ED-CPLT-AL	Cover Plate	AL	\$19.00
ED-CPTL-DB		DB	\$19.00



AVERY LEVER TRIM			
Part #	Function	Finish	List Price
AL9020-SS	Passage	SS	105.00
AL9040-SS	Entry	SS	130.00
AL9050-SS	Storeroom	SS	130.00
AL9020-10B	Passage	10B	110.00
AL9040-10B	Entry	10B	135.00
AL9050-10B	Storeroom	10B	135.00

ERIN LEVER TRIM			
Part #	Function	Finish	List Price
EL9020-SS	Passage	SS	105.00
EL9040-SS	Entry	SS	130.00
EL9050-SS	Storeroom	SS	130.00
EL9020-10B	Passage	10B	110.00
EL9040-10B	Entry	10B	135.00
EL9050-10B	Storeroom	10B	135.00



THUMB PIECE ESCUTCHEON WITH MORTISE CYLINDER			
Part #	Function	Finish	List Price
ED-ESCTHM-AL	Keyed & Thumb-piece	AL	\$150.00
ED-ESCTHM-DB		DB	\$150.00
ED-ESCDMY-AL	Pull Handle only	AL	75.00
ED-ESCDMY-DB		DB	75.00

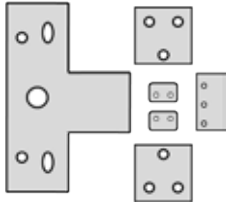

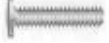



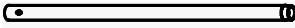
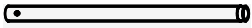

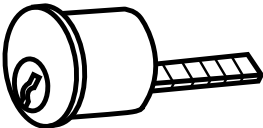



AVERY ESCUTCHEON TRIM			
Part #	Function	Finish	List Price
AL9120-SS	Passage	AL	\$130.00
AL9140-SS	Entry	AL	\$170.00
AL9150-SS	Storeroom	AL	\$170.00
AL9190-SS	Dummy	AL	\$130.00
AL9120-10B	Passage	DB	\$130.00
AL9140-10B	Entry	DB	\$170.00
AL9150-10B	Storeroom	DB	\$170.00
AL9190-10B	Dummy	DB	\$130.00

Bulldog Exit Device Accessories

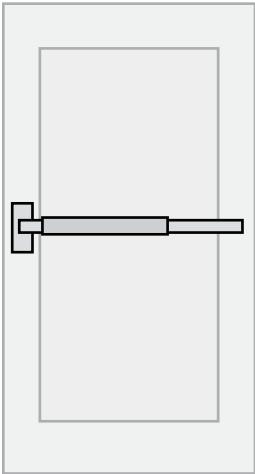
Accessory	Description	Part #	List Price
	Rim Device Surface Strike (3-5/8" x 1-1/4")	PT-ED-RSS	\$7.00
	Fire Rated Rim Surface Strike (3-5/8" x 1-1/4")	PT-ED-FRSS	\$10.00
	V-Rod Device Surface Top Strike (2-1/4" x 1-1/8")	PT-ED-VTS	\$5.80
	Fire Rated V-Rod Surface Top Strike (3-5/8" x 1-1/4")	PT-ED-FVTS	\$11.00
	V-Rod Surface Bottom Strike (2-1/2" x 1/2")	PT-ED-VBS	\$5.20
	Fire Rated V-Rod Bottom Strike includes strike box (mortise in floor) 2-3/4" x 1-3/4")	PT-ED-FVBS	\$5.20
	Overlapping Double Door Strike Fire Rated	PT-ED-FOS	\$10.00
	Surface Strike Shim - 3-5/8" x 1-1/4"	PT-ED-SSS	\$5.00
	ASA Strike Filler Plate AL Finish	PT-ED-SFP-AL	\$2.20
	ASA Strike Filler Plate DB Finish	PT-ED-SFP-DB	\$2.20
	Latch Mortise Filler Plate AL Finish	PT-ED-LFP-AL	\$1.40
	Latch Mortise Filler Plate DB Finish	PT-ED-LFP-DB	\$1.40
	Auxiliary Fire Latch & Strike (for use with V-rod devices less bottom rod)	PT-ED-AFL	\$13.70

Bulldog Exit Device Accessories

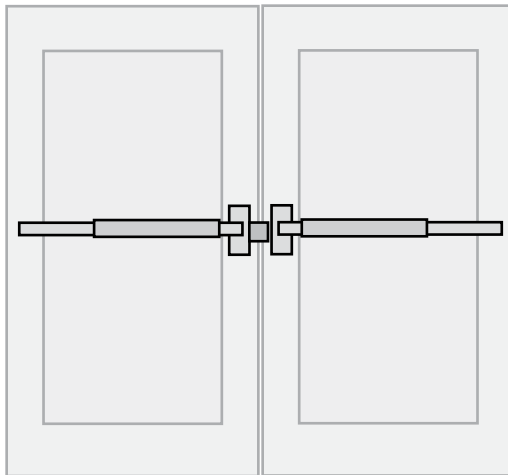
Accessory	Description	Part #	List Price
	1/8" Shim Kit - All Rim Devices	PT-R9500-SHIM	\$9.00
	1/8" Shim Kit - F-Rated V-Rod Device	PT-V9560-F-SHIM	\$14.00
	1/8" Shim Kit - Std V-Rod Device	PT-V9560-SHIM	\$13.00
	Wood Mounting Screws 6 pieces**	PT-LPP-101	\$1.40
	Machine Screws - 6 pieces **	PT-LPP-102	\$1.75
	Thru-bolts and machine screws. 6 pieces ea. **	PT-LPP-103	\$9.00
	V-ROD Guides and Screws AL or DB	PT-LPP-104 (AL/DB)	\$8.00
	V-ROD Guides and Screws SS	PT-LPP-104 SS	\$10.00
	10 foot door top rod AL or DB Finish (36" over standard for 10' door)	PT-ED-TR10 (AL/DB)	\$28.00
	10 foot door top rod SS	PT-ED-TR10 SS	\$31.00
	8 foot door top rod AL or DB Finish (12" over standard for 10' door)	PT-ED-TR08 (AL/DB)	\$23.00
	8 foot door top rod SS Finish	PT-ED-TR08 SS	\$26.00
	7 foot door top rod - AL or DB Finish (includes std 1 top & 1 bottom Rod)	PT-ED-TR07 (AL/DB)	\$19.00
	7 foot door top rod - SS Finish	PT-ED-TR07 SS	\$22.00
	Standard Bottom Rod - AL or DB	PT-ED-BR (AL/DB)	\$16.00
	Standard Bottom Rod - SS Finish	PT-ED-BR SS	\$19.00
	Rim Cylinder AL Finish KW1 or C	PT-ED-RIM-KW1 AL PT-ED-RIM-C AL	\$17.00
	Rim Cylinder DB Finish	PT-ED-RIM-KW1 DB PT-ED-RIM-C DB	\$17.00
	Mortise Cylinder AL Finish KW1 or C	PT-ED-MRT-KW1 AL PT-ED-MRT-C AL	\$20.00
	Mortise Cylinder DB	PT-ED-MRT-KW1 DB PT-ED-MRT-C DB	\$20.00
RIM & MORTISE CYLINDER KEYING SERVICES	Keyed Alike (KA) Builder Keying (BK) Master Keying (MK) Builder-Master Keying (BMK) Grand-Master Keying (GMK) Maison Keying (MAIS)	PT-LT-KA001 PT-LT-BK001 PT-LT-MK001 PT-LT-BMK001 PT-LT-GMK-001 PT-LT-MAISON	\$3.00/cyl. \$4.00/cyl. \$3.60/cyl. \$5.00/cyl. \$5.00/cyl. \$8.00/cyl

** Note for Rim device one screw pack is needed,
For Vertical Rod device 2 screw packs are needed.

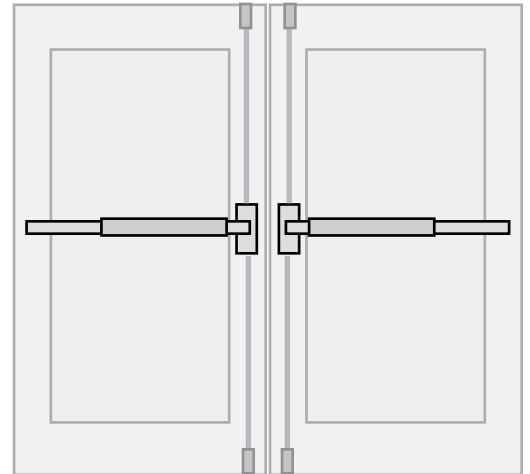
Series 9500 Exit Device Application Guide



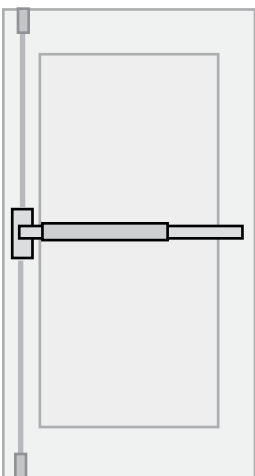
Rim Type
Single Door
One point locking



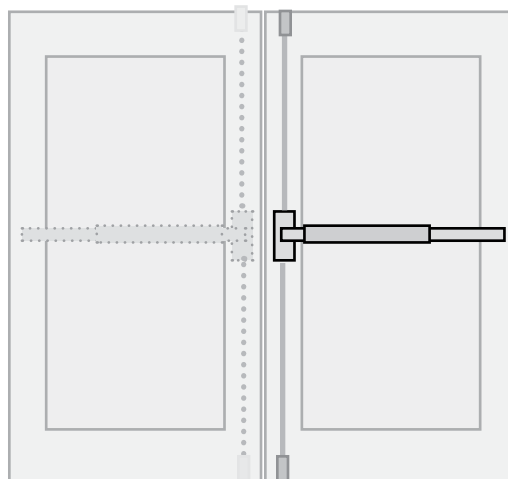
Rim Type: Double Door with over-
lapping strike - (No Mullion)
One point locking each door



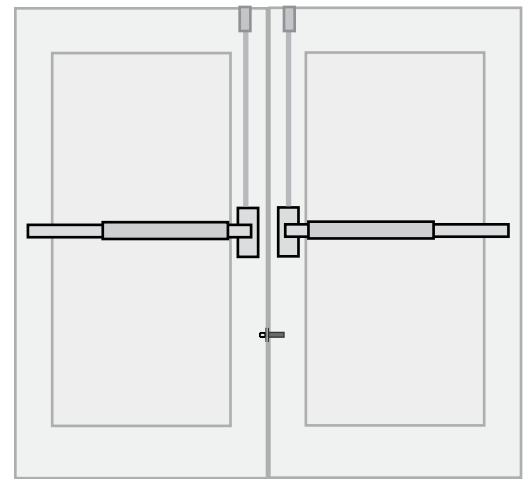
Vertical Rod Type: Double Door
2 point locking each door



Vertical Rod Type
Single Door
2 point locking



Vertical Rod Type: Double Egress,
2 point locking in both directions



Vertical Rod Device Less Bottom Rods:
Double Door,
Auxiliary Fire Latch option shown,
One point locking into top jamb each door



Bulldog Commercial Hardware Limited Product Warranty

Mechanical Warranty

Copper Creek Inc (hereafter the manufacturer) offers a limited lifetime mechanical warranty for all Bulldog Commercial Hardware. The warranty covers mechanical defects in material and workmanship. The mechanical warranty does not cover misuse, abuse, finish defects, or any damage caused by failure to read installation instructions. The warranty does not cover improper or poor installation or installation in any application not in compliance with manufacturer instructions and guidelines.

Finish Warranty

The manufacturer offers a 2 year finish warranty for Bulldog Commercial hardware to the original purchaser. The warranty covers finish blemishes and tarnish caused by natural environmental elements including sunlight, salt air, and humidity. The warranty does not cover damages from paints, cleaners, chemicals, scratches, abrasions, or improper installation in residential or commercial buildings and applications.

Additional Warranty Terms, Conditions, Guidelines, and Claims

The purchaser of Bulldog Commercial Hardware agrees to the following additional terms and conditions:

- **The manufacturer is not responsible or liable for changes or alterations to our products by any 3rd party.**
- **All warranty claims must be made in writing or by telephone directly to the manufacturer from the original purchaser where the locks were first sold to validate the claim.**
- **At the manufacturers discretion a site inspection may be required to validate any warranty claims and ensure the products were installed in accordance to the manufacturers guidelines and limitations.**
- **At the manufacturers discretion all warranty claims may be subject to a factory test lab inspection to identify any improper use and or abuse.**
- **Bulldog hardware is manufactured and independently tested according to American National Standards Institute (ANSI) grading standards. Any attempt to install Bulldog Commercial Hardware products not in compliance with these guidelines or on any application the product is not designed for, will void all mechanical and finish warranties. If any question or concern exists on the planned or intended use of Bulldog Commercial Hardware, a manufacturer representative should be contacted to confirm the correct application and that guidelines are adhered to prior to installation of the hardware.**
- **The mechanical and finish warranties are non-transferable, and cover defects on products installed by the original purchaser at the original installation site only.**
- **Products proven defective in the warranty period should be returned freight prepaid to 570 3rd Street, Lake Elsinore, CA 92530. The product will either be repaired, replaced, or the purchase price returned to the original purchaser. Return freight and or cartage costs are the responsibility of the original purchaser.**
- **The manufacturer's maximum liability is limited to the original purchase price of the hardware.**
- **The manufacturer reserves the right to make improvements or changes to the specifications and designs of our products without obligation to incorporate those improvements or changes on previously manufactured products.**
- **The Manufacturer (CCI) makes no other warranty, either expressed or implied, other than the above stated Mechanical and Finish warranties, terms, conditions, and guidelines.**



570 3rd Street,
Lake Elsinore, CA 92530
(951) 674-8004 (*office*)
(888) 492-9080 (*toll free*)
(951) 674-8337 (*fax*)
Web site: www.coppercreekhardware.com
e-mail: sales@cchlocks.com